

QWR-CF150-07

Plastic Pipe Coupling penetrating a rigid floor (150mm or thicker)

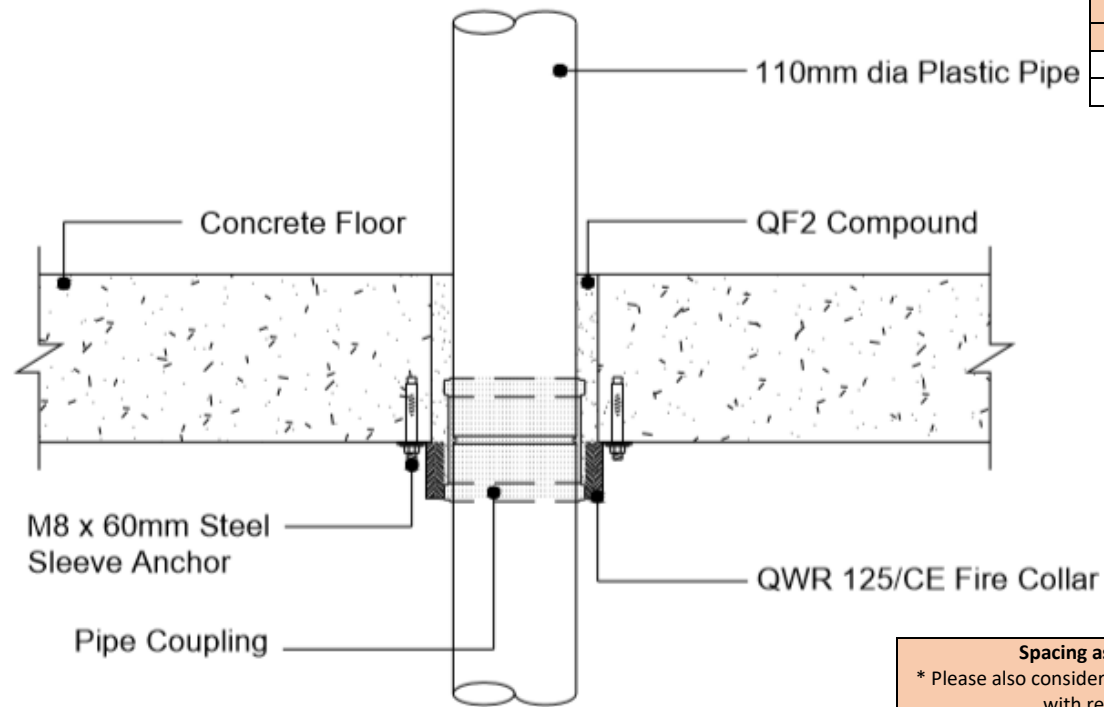
This standard detail is intended for general information only and all details should be checked against all relevant supporting test evidence, certification and installation guidelines. In line with the company's policy of continual development, details are subject to change and/ or withdrawal therefore you must ensure this is the latest published detail and instructions.

Additional Instructions

The floor must have a minimum thickness of 150mm and comprise of concrete or aerated concrete, with a minimum density of 670kg/m³.

The QWR Fire Collar is secured using M8 x 60mm steel sleeve anchors through all fixing lugs.

BS EN 1366-3:2021 Section 13.7: The distance between the aperture edges of penetration seals in a building element shall be as tested or minimum 100mm. The distance between the aperture edge of a penetration seal and any other penetration (e.g., door) in a building element shall be minimum 200mm.



Quelfire Products Required	
Product Code	Description
QWR125/CE	Fire Collar for 125mm pipes
QF2	QF2 Fire Protection Compound

Spacing as per BS EN 1366-3: 2021, Section 13.7	
* Please also consider any requirements that the floor manufacturer has with regards to spacing between openings.	
Minimum distance from edge of opening to another aperture with a service penetration tested to BS EN 1366-3	100mm*
Minimum distance from edge of opening to another aperture with a penetration <u>not</u> tested to BS EN 1366-3	200mm*

To be read in conjunction with:	WF Test Report 366873 – Specimen K
Test standard:	BS EN1366-3
Substrate minimum thickness:	150mm
First service support:	≤250mm
Drawing Scale:	Not to Scale
Issue Number:	3
Date of Issue:	January 2023
Detail Reference:	QWR-CF150-07

Service Type	Size of Services	Pipe Wall Thickness	QWR/CE Fire Collar	Fire rating
U-PVC Pipe Coupling	Ø110mm	3.2mm	QWR125/CE	240 minutes Integrity U/C 240 minutes Insulation U/C

Important Information:

- The supporting construction must be installed in accordance with the manufacturer's guidelines and must be capable of achieving the required fire rating of the firestop.
- All Services should be adequately supported either side of the firestop to ensure that no load is transferred onto the firestop seal.

Scope and Liability:

- Any Information provided by or on behalf of Quelfire Limited is provided for general information only. It is not intended to amount to advice on which you should rely. You must obtain professional or specialist advice before taking, or refraining from, any recommendation or action.
- The summary is not exhaustive and does not consider all issues relevant to the enquiry. It is limited to the information and time available to us. We have not verified any information made available to us by you or any other source, nor have we carried out a physical inspection of any property. We make no representations, warranties or guarantees, whether expressed or implied, that any information is accurate, complete or up to date.
- We do not accept a duty of care to you or any other person in respect of the enquiry, nor do we accept any liability to you or any other person for any loss arising out of or in connection with the enquiry or any reply provided by us. Different limitations and exclusions of liability arising as a result of the supply of any products or services by us to you, and these will be set out in our terms and conditions of supply, a copy of which is available on request.
- Full terms and conditions of sale are available at <https://www.quelfire.co.uk/terms-conditions-of-sale/>