

This standard detail is intended for general information only and all details should be checked against all relevant supporting test evidence, certification and installation guidelines. In line with the company's policy of continual development, details are subject to change and/ or withdrawal therefore you must ensure this is the latest published detail and instructions.

Additional Instructions

Flexible walls can be insulated or uninsulated and must have a minimum 50mm wide stud and minimum 1no. layer of 12.5mm Gypsum boards in accordance with EN 520 or Calcium Silicate boards which are CE Marked based on an ETA, on both sides of the stud.

QuelStop Intumescent Sealant applied to both sides of the wall.

Backing Material gives no performance advantage and considered to be sacrificial and for installation purposes only, so an appropriate material may be utilized such as PE Foam rod, fire resisting foam, glass wool, stone wool etc.

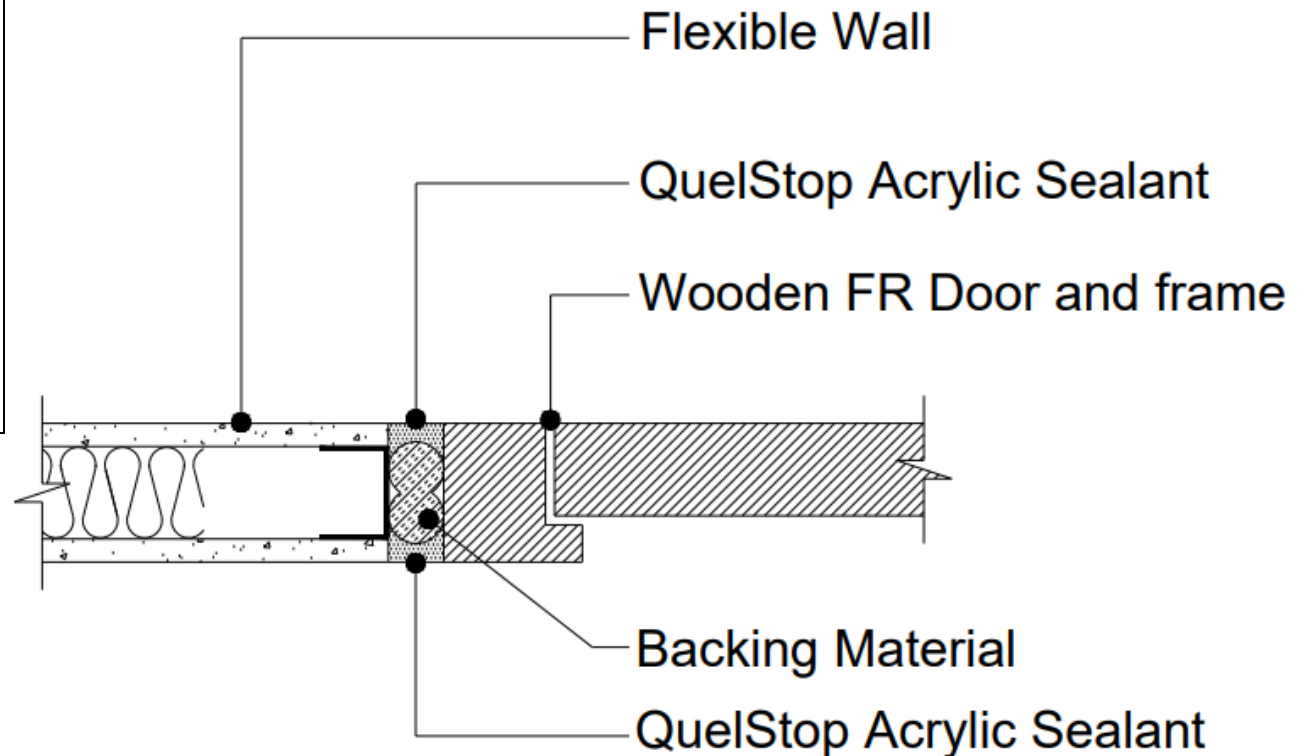
Maximum gap width = 30mm
Minimum seal depth = 10mm

Door frame to be mechanically fixed to the wall as per the test evidence/ manufacturer's instructions.

30-minute door frame to be a minimum density 410kg/m³ softwood.

Door set proven to provide the required fire rating as required and in accordance with EN 1634-1.

Quelfire Products Required	
Product Code	Description
QSS310	QuelStop Intumescent Acrylic Sealant



Substrate	Maximum Gap Size	Minimum Seal Depth	Seal Position	Backing Material	Fire Rating
Gypsum Board/ Softwood	30mm	10mm	Both Sides	PE Backing Rod	30 minutes Integrity
Gypsum Board/ Hardwood	30mm	10mm			30 minutes Insulation

To be read in conjunction with:	WF Test Report 525304B/R Specimens J - M
Test standard:	BS EN1366-4
Substrate minimum thickness:	75mm
Drawing Scale:	Not to Scale
Issue Number:	1
Date of Issue:	September 2023
Detail Reference:	QSS-FW75-LJ-01

Important Information:

- The supporting construction must be installed in accordance with the manufacturer's guidelines and must be capable of achieving the required fire rating of the firestop.
- All services should be adequately supported on both sides of the firestop to ensure that no load is transferred onto the firestop seal.

Scope and Liability:

- Any Information provided by or on behalf of Quelfire Limited is provided for general information only. It is not intended to amount to advice on which you should rely. You must obtain professional or specialist advice before taking, or refraining from, any recommendation or action.
- The summary is not exhaustive and does not consider all issues relevant to the enquiry. It is limited to the information and time available to us. We have not verified any information made available to us by you or any other source, nor have we carried out a physical inspection of any property. We make no representations, warranties or guarantees, whether expressed or implied, that any information is accurate, complete or up to date.
- We do not accept a duty of care to you or any other person in respect of the enquiry, nor do we accept any liability to you or any other person for any loss arising out of or in connection with the enquiry or any reply provided by us. Different limitations and exclusions of liability arising as a result of the supply of any products or services by us to you, and these will be set out in our terms and conditions of supply, a copy of which is available on request.
- Full terms and conditions of sale are available at <https://www.quelfire.co.uk/terms-conditions-of-sale/>